

# IG-42CRGM

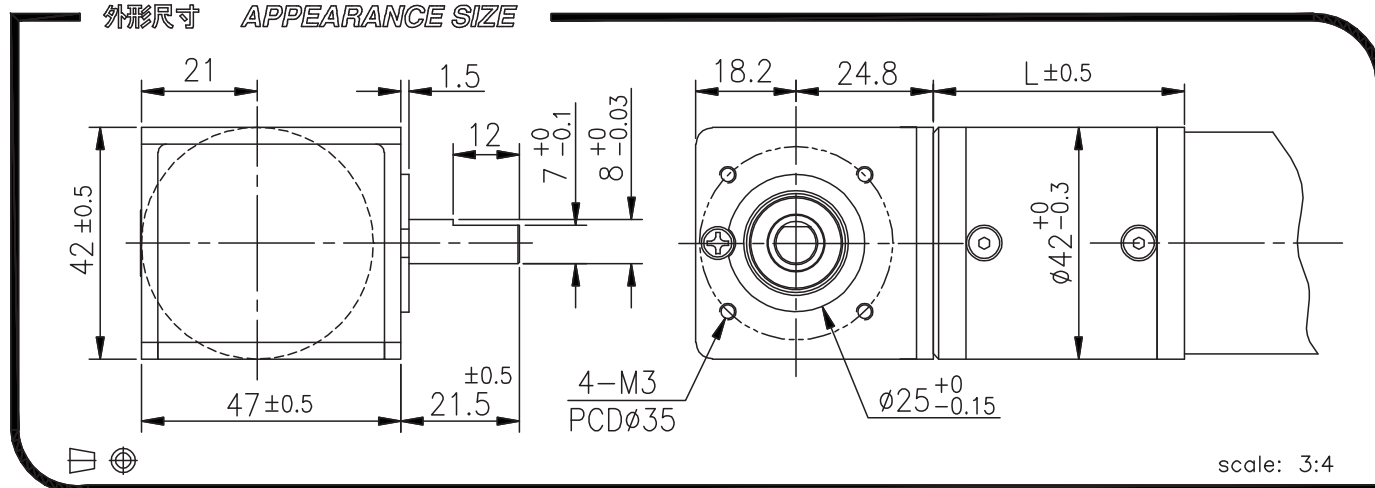
# NEW

## 01&02 TYPE



REDUCTION RATIO	L	REDUCTION RATIO	L
1/4	32.5	1/212~1/864	52.6
1/14~1/24	39.2	1/1062~1/3600	59.6
1/49~1/144	45.9		

外形尺寸 APPEARANCE SIZE



### GEARED MOTOR TORQUE/SPEED

	減速比 Reduction ratio	1/4	1/14	1/17	1/24	1/49	1/61	1/84	1/104	1/144	1/212	1/294	1/504	1/624	1/720	1/864	1/1062	1/1470	1/2500	1/3000	1/3600	
		12V	2.0	6.1	7.6	8	18	18	18	20	20	25	25	30	30	30	30	30	30	30	30	30
	定格扭力(Kg-cm) Rated torque																					
	定格回轉數(rpm) Rated speed	1400	405	325	248	120	98	76	63	45	31	24	13.5	10.9	9.5	8.0	6.5	4.6	2.7	2.3	1.9	
24V	1.6	5.0	6.2	8	15	18	18	20	20	25	25	30	30	30	30	30	30	30	30	30	30	
	定格回轉數(rpm) Rated speed	1445	420	340	240	122	102	77.5	63	47	31	23.8	13.5	10.9	9.5	8.0	6.5	4.6	2.7	2.3	1.9	

### 馬達單體型式 / MOTOR DATA

定格電壓 Rated volt (V)	定格扭力 Rated torque (g-cm)	定格回轉數 Rated speed (rpm)	定格電流 Rated current (mA)	無負荷回轉數 No load speed (rpm)	無負荷電流 No load current (mA)	定格出力 Rated output (W)	重量 Weight (g)
12	700	5700	≤ 5500	7000	≤ 900	41.3	360
24	570	5900	≤ 2100	7000	≤ 500	34.7	360

### 馬達單體特性圖 / MOTOR CHARACTERISTICS

